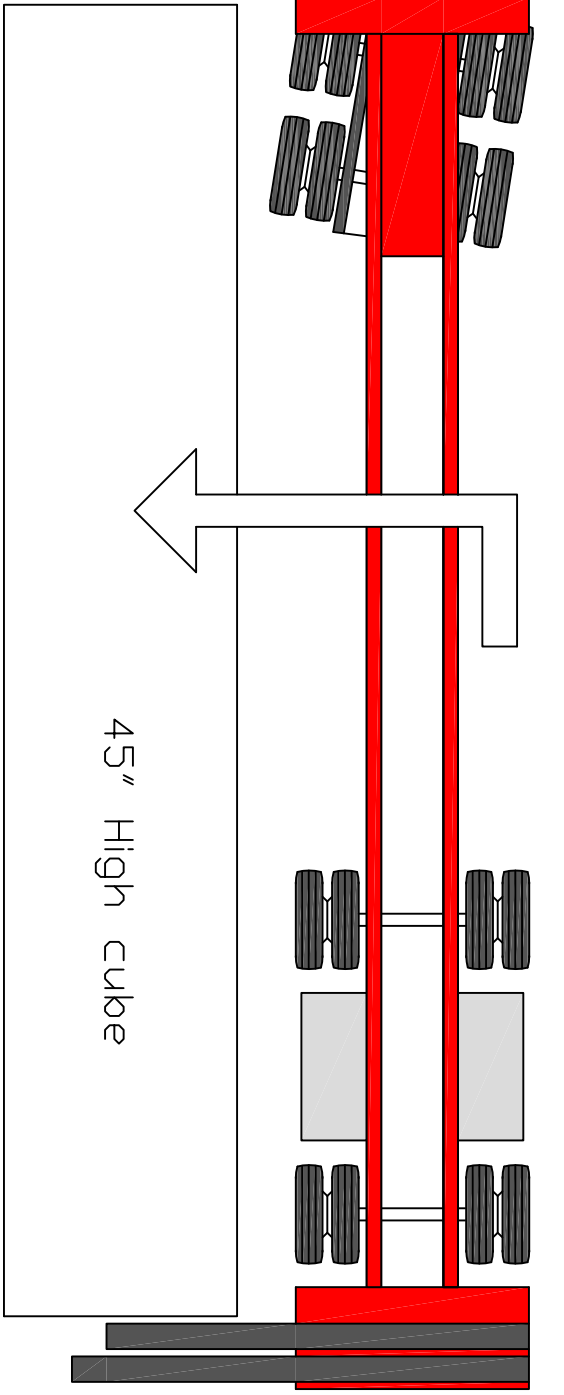


Container Lifters

503-799-4183

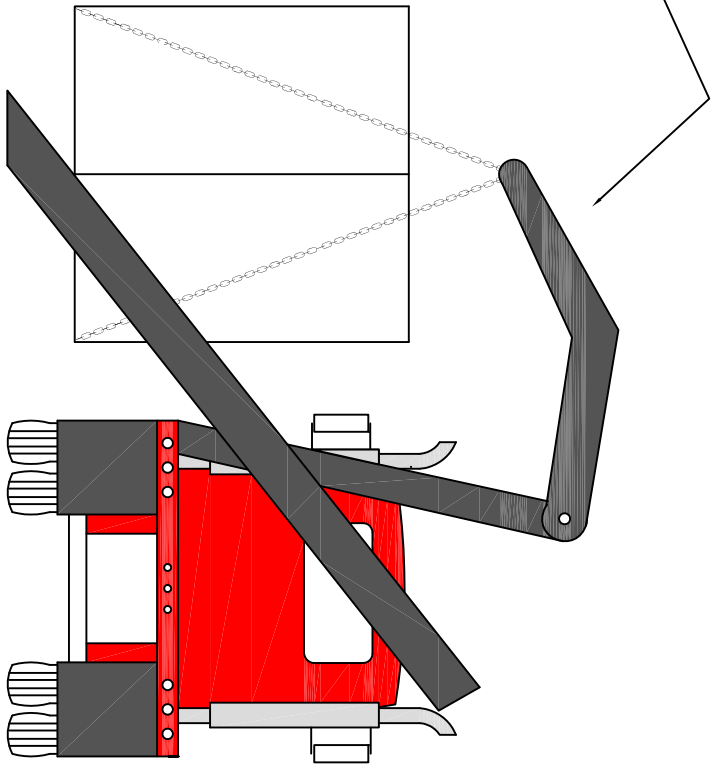


Loading & Un-loading is only possible on the LH-Driver side

We can load your container with the doors at the front or rear, so it is facing the right direction when we deliver it.

High cube containers must travel with the doors to the rear for 13'-6 legal height

We can swap ends off site easy!



Side Loading